
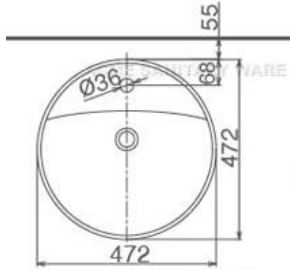
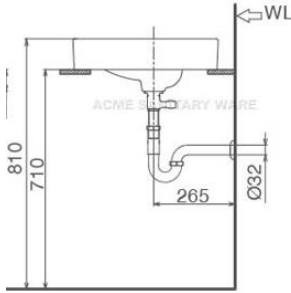
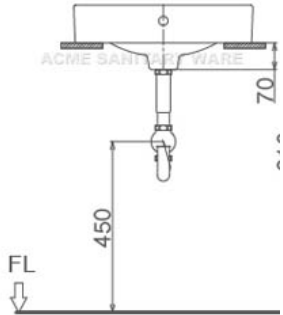




PROJECT		REF		REV	ITEM CODE	
LOCATION		DATE			PAGE	

SANITARY WARE SPECIFICATION SHEET

<p>Item Descriptions</p> <p>Dimensions</p> <p>Model</p> <p>Finish</p> <p>Brand</p> <p>Country of Origin</p> <p>Source</p> <p>Contact Tel/Fax</p> <p>E-mail</p> <p>Website</p>	<p>Inax (Japan) Vitreous china above counter washbasin</p> <p>L472 x W472 x H170 mm</p> <p>AL-294VFC/BW1</p> <p>Vitreous China</p> <p>Inax (Japan)</p> <p>Vietnam</p> <p>Acme Sanitary Ware Co. Ltd Mr. Eric Wong/ Mr. Don Yuen</p> <p>(852) 2388-7171 / (852) 2710-8012</p> <p>acme@acmesanitary.com.hk</p> <p>www.acmesanitary.com.hk</p>	<p>Illustration/ Drawing</p>    
---	---	--

Note:



* All information of the above is for the reference only. No prior notice is made if any changes.